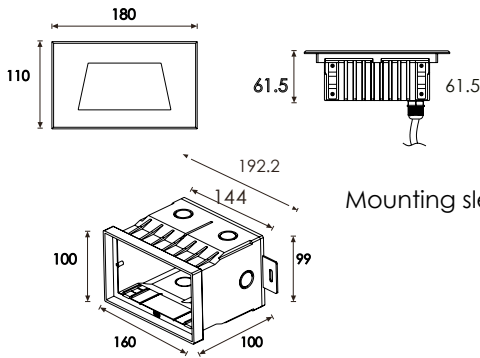


Led Recessed Wall Light TALIS



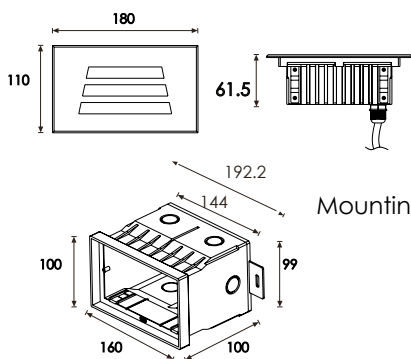
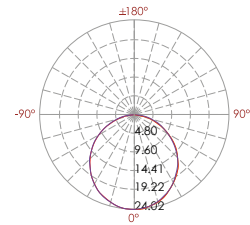
Hard chromeplated Stainless steel 316
12# Die-casting grey powder coated aluminum
T=60-80um Adhesion of ISO class 1/ASTM class 4B



Mounting sleeve 091#

331 120		
LED Power	Colour Temp	Luminous
24V - 5,5W	2000K	180 lm
120/240V - 6,7W	3000K	66 lm
	6000K	

LIGHT DISTRIBUTION



Mounting sleeve 091#

331 121		
LED Power	Colour Temp	Luminous
24V - 5,5W	2000K	180 lm
120/240V - 6,7W	3000K	60 lm
	6000K	

LIGHT DISTRIBUTION

